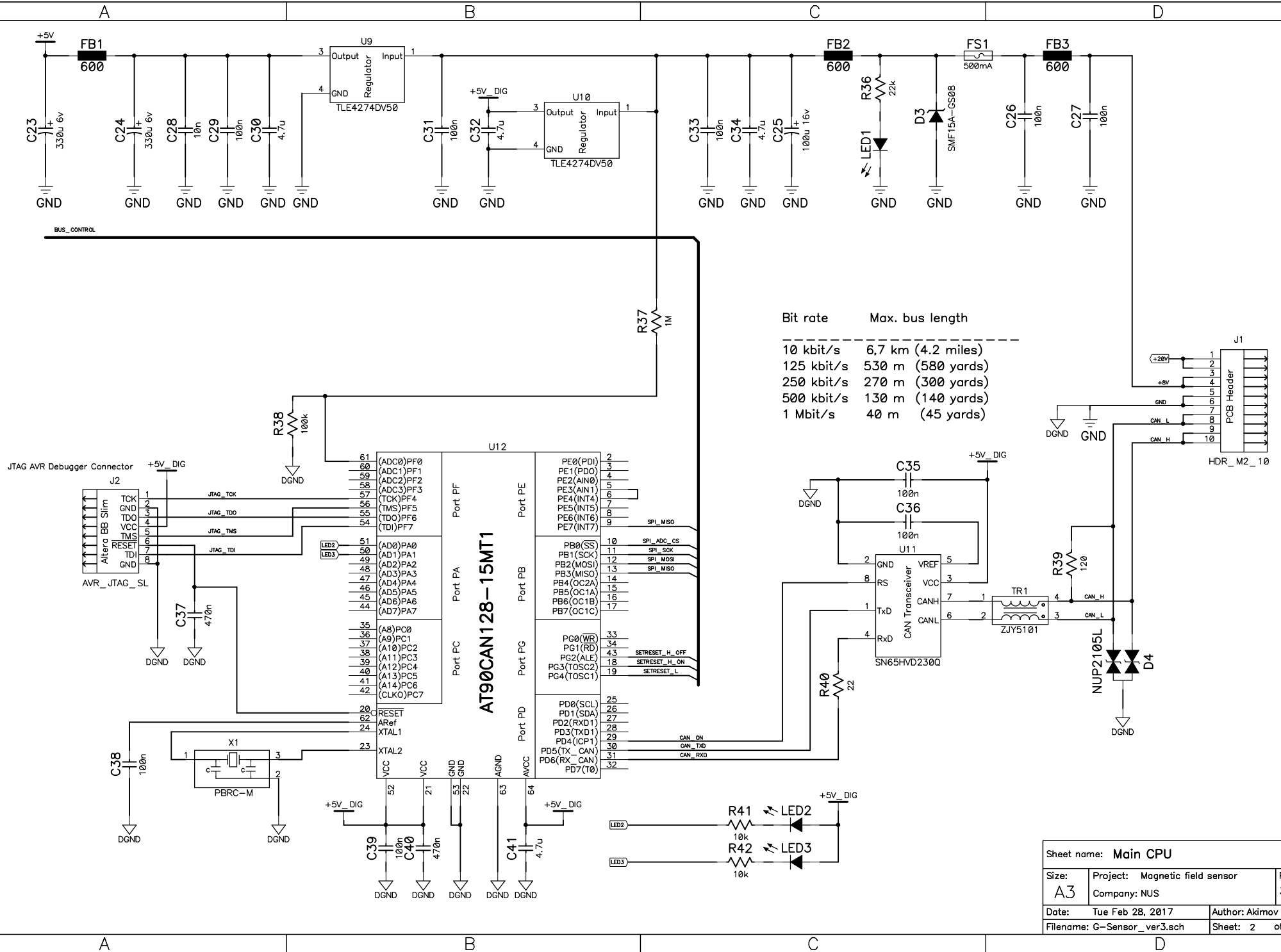


Sheet name: Analog part		
Size: A3	Project: Magnetic field sensor	Revision: 3.0
Date: Tue Feb 28, 2017	Author: Akimov Vladimir	
Filename: G-Sensor_ver3.sch	Sheet: 1 of: 2	



Sheet name: Main CPU		
Size: A3	Project: Magnetic field sensor	Revision: 3.0
Date: Tue Feb 28, 2017	Author: Akimov Vladimir	
Filename: G-Sensor_ver3.sch	Sheet: 2 of: 2	