

A

B

C

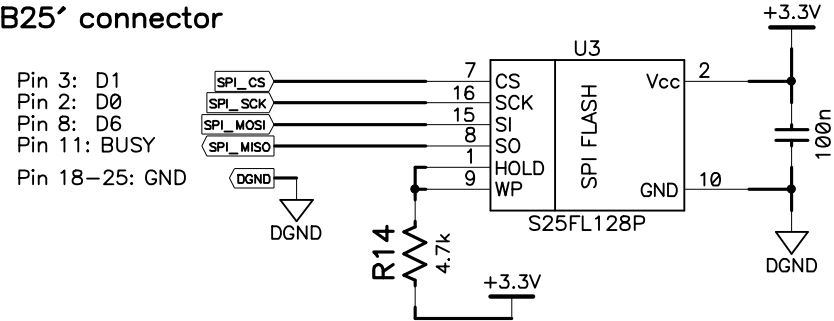
D

1

1

Target SPI FLASH memory

To LPT 'DB25' connector



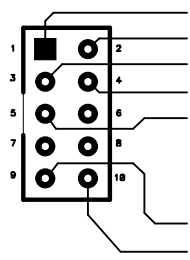
Direct connection to PC LPT port connector.
(If use LPT port for target programming without adapter)

2

2

JTAG connector
USB Blaster "C"

JTAG Signal Name Description:

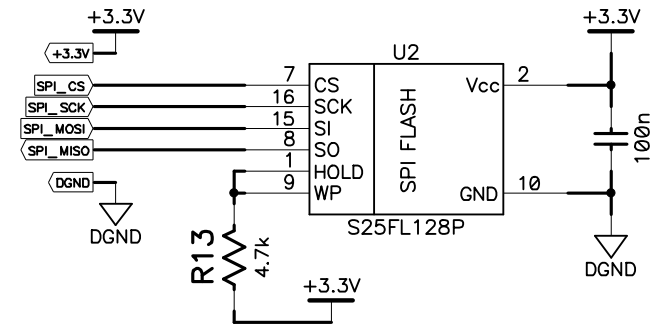


- 1 SCK Clock signal
- 2 GND Ground
- 3 MISO Data from target
- 4 VCC Target power supply (+3.3.. 5v)
- 5 CS Target Chip Select
- 6 No connect
- 7 No connect
- 8 No connect
- 9 MOSI Data to target
- 10 GND Ground

To USB Blaster "C"

Target SPI FLASH memory

- Pin 4: VCC
- Pin 5: CS
- Pin 1: SCK
- Pin 9: MOSI
- Pin 3: MISO
- Pin 2,10: GND



Connection to Altera USB Blaster "C".

Sheet name: **SPI Flash connection to "uFlash"**

Size: A4	Project: "uFlash" programmer Company: NUS	Revison: 3.0.2
Date: Fri Jan 13, 2017	Author: Akimov Vladimir	
Filename: adapters.sch	Sheet: 1 of: 3	

4

4

A

B

C

D